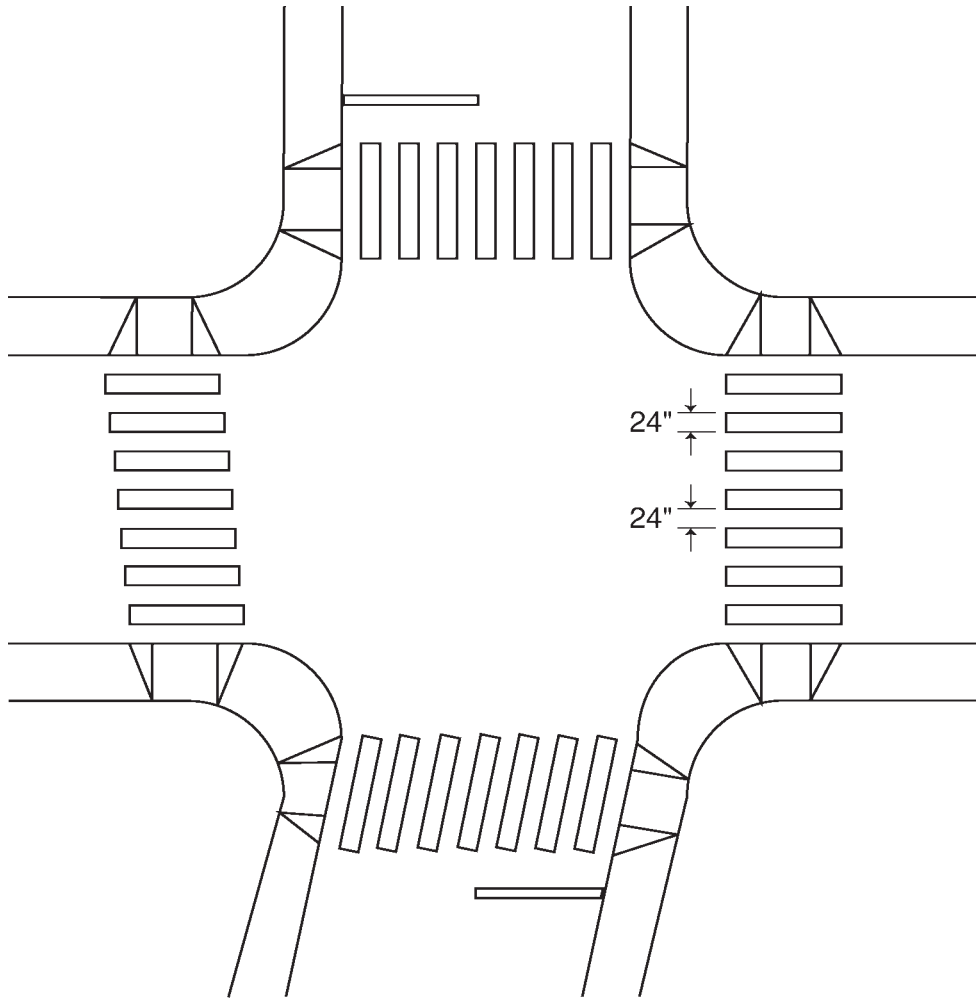


Crosswalk Standard
For Use at Mid-block and Intersection Locations
Town of Arlington, Massachusetts
April 28, 2004



Notes:

1. Crosswalk markings are to be centered between edges of roadway.
2. Crosswalk markings are to be reflective and white in color.
3. Crosswalk widths are to be:
 - 10' on roadways other than Massachusetts Avenue
 - 12' on Massachusetts Avenue
 - 12' on Minuteman Bikeway crossings.
4. Crosswalks are to be centered between pedestrian handicap ramps.
5. Crosswalk bars are to be parallel to the direction of traffic flow.
6. 4' of black pavement is to be provided between stop lines and crosswalks.
7. Brick crosswalks are to be outlined with a single 2' wide stripe on each side.
No crosswalk markings are to be installed on the brick or stone.